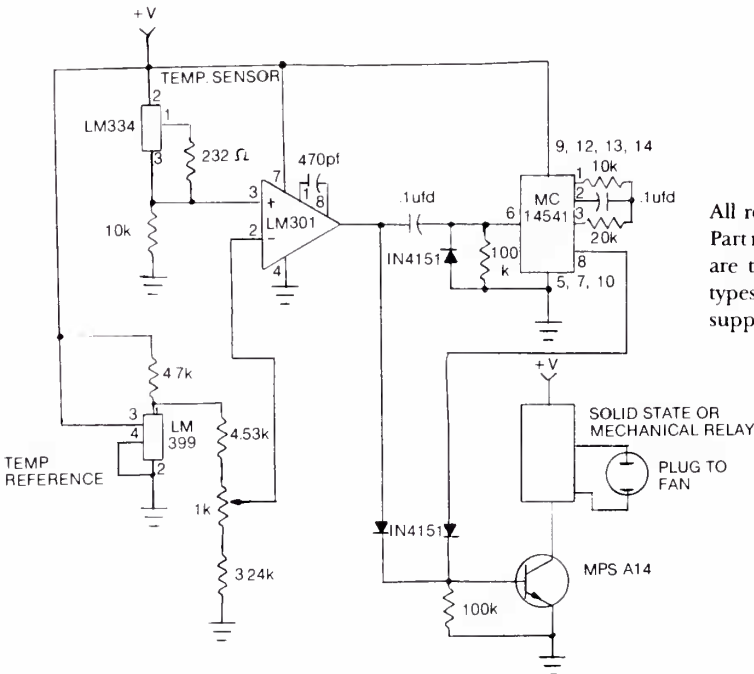


Greenhouse plans

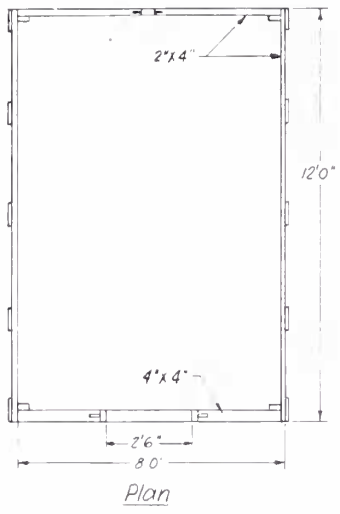
by Tom Story
1112 Klengel St.
Antioch, CA 94509

The construction of the illustrated greenhouse is very simple and fairly completely described by the drawing. [Fig. 1] The frame will conform very well to uneven or sloping ground, eliminating the necessity of initial leveling. The entire greenhouse was built from easily obtainable materials for under \$100, but most people have at least some of these materials in their scrap piles. The simplicity allows for flexibility in making changes to conform with varying requirements such as enlargement. The completed greenhouse can be covered in either polyethylene or PVC [Poly Vinyl Chloride] clear

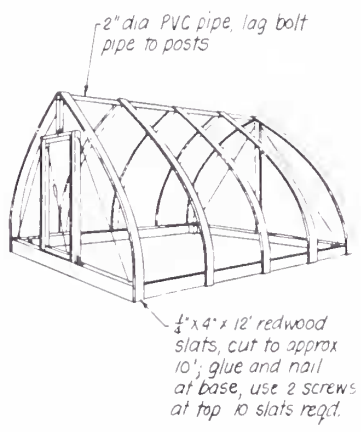
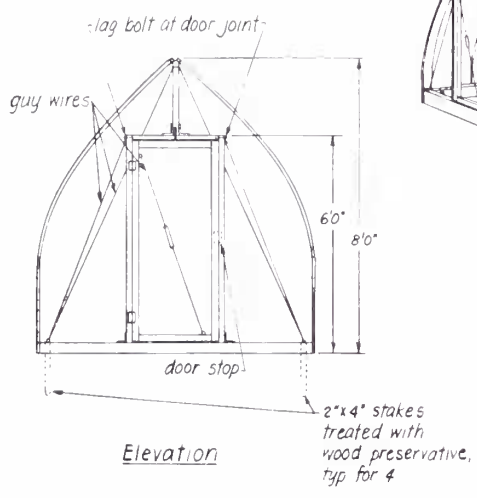
plastic which comes in rolls, PVC being more expensive but preferred as it will last many times longer. There is also a new product designed just for this purpose which is the plastic sheet with chicken wire embedded in it for added strength. I used the standard PVC with mine and the unit is surprisingly stronger than the appearance would suggest. Our winds here at times can be quite violent but no damage has yet occurred. One final suggestion, in stapling the plastic cut squares of some stiff material about one inch square and staple through the middle to enlarge the holding area and



All resistors ¼ watt.
Part numbers and values
are typical; many other
types will work. Power
supply can be 10v to 15v.



Note Cover frame with clear plastic sheeting



Greenhouse

adapted from a plan by the U.S. Dept of Agriculture by Tom Story

drawn by E. Banuet Hutton 5-80

eliminate tearing. I used a plastic "For Sale" sign to make these.

The fan controller is fairly simple to construct for an experienced electronic technician but would be more difficult for others. The parts mentioned may be substituted for any easily obtainable part. Vent openers could also be easily added with no

modification. I adjusted my fan to turn on above 90° but it can be set to virtually any other desired temperature.

Please feel free to contact me for any additional information. I will be glad to provide assistance to anyone if they send a SASE.